

DH insulation support anchor



Cross references

Installation point
 Hammer drill SDS plus
 Cordless hammer drill ABH 18
 Tool belt

Application range

- > For fixing insulating material in the rear-ventilated facade (VHF) to all substrates

Characteristics

- > Requirement: 5 pcs. per m²
- > Easy installation with no additional expansion element
- > Washer can be positioned individually on the shaft
- > All-purpose for all building materials

Benefits

- > Prevents "quilt effect" (indentations in the insulation) due to retrofitting of the washer
- > Prevents gapping of the joints between the individual insulating panels at the joining edges
- > Packing and handling volume is reduced by over 60% compared to one-part insulation support anchors
- > Installation depth limiter guarantees defined installation, independent of the substrate
- > Process reliable installation even with thick insulation boards

Notice

For the installation of two-ply insulation, additional stress plates are required. The practicability depends on the respective insulation properties and needs to be tested on site. Rotary hole drilling is obligatory in aerated concrete and perforated brick masonry.

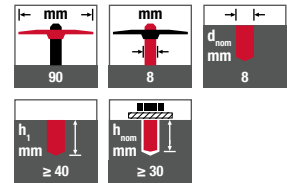
Characteristic values

Point thermal transmittance χ	0.0001 W/K
Carrying capacity (pull over washer)	0.2 kN

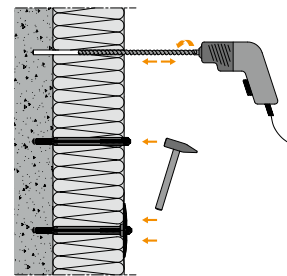
Applications



Technical specifications

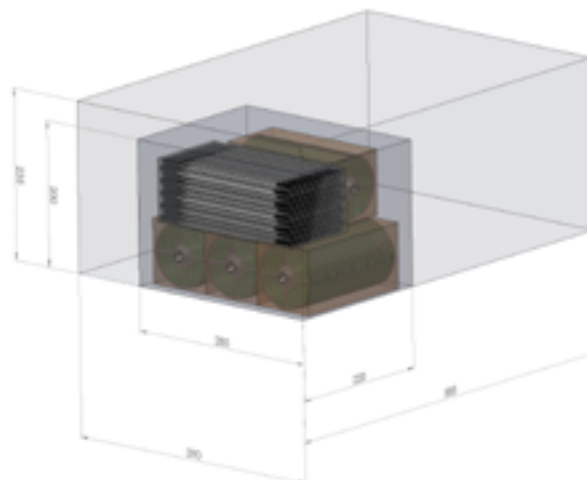


Certifications



Wall embedment

Single-ply insulation



Packing and handling volume is reduced by over 60% compared to one-part insulation support anchors

Order description	Insulation thickness ≤ [mm]		PU [pieces]	Price/100 [EUR]	Article number	EAN
Washer only						
Washer DH	-		300		8550090999	4061245011592
Shaft only						
Shaft DH 60	60		300		8550060999	4061245011622
Shaft DH 80	80		300		8550080999	4061245011608
Shaft DH 100	100		300		8550100999	4061245011578
Shaft DH 120	120		300		8550120999	4061245011554
Shaft DH 140	140		300		8550140999	4061245011530
Shaft DH 160	160		300		8550160999	4061245011516
Shaft DH 180	180		300		8550180999	4061245011493
Shaft DH 200	200		300		8550200999	4061245011479
Shaft DH 220	220		300		8550220999	4061245011455
Shaft DH 240	240		300		8550240999	4061245011431
Shaft DH 260	260		300		8550260999	4061245011417
Shaft DH 280	280		300		8550280999	4061245011394
Shaft DH 300	300		300		8550300999	4061245011370

Product online



Order description	Insulation thickness ≤ mm		PU [pieces]	Price/100 [EUR]	Article number	EAN
	Concrete	Masonry				
One-part insulation support anchor						
DH-40 (one-part)	40	20	300		8551906009	4061245011363

Product online



Order description	Insulation thickness ≤ [mm]		PU [pieces]	Price/100 [EUR]	Article number	EAN
Set, comprised of washer and shaft						
Set DH-60	60		300		8550060009	4061245011639
Set DH-80	80		300		8550080009	4061245011615
Set DH-100	100		300		8550100009	4061245011585
Set DH-120	120		300		8550120009	4061245011561
Set DH-140	140		300		8550140009	4061245011547
Set DH-160	160		300		8550160009	4061245011523
Set DH-180	180		300		8550180009	4061245011509
Set DH-200	200		300		8550200009	4061245011486
Set DH-220	220		300		8550220009	4061245011462
Set DH-240	240		300		8550240009	4061245011448
Set DH-260	260		300		8550260009	4061245011424
Set DH-280	280		300		8550280009	4061245011400
Set DH-300	300		300		8550300009	4061245011387

Product online

