

EJOT Self Drilling Screw JT2-DP1 #10-6x3/4



Product Specifications

- > Threads Per Inch: 16
- > Head Style: Hex
- > Material: Carbon Steel SAE 1018/SAE 1022, Case Hardened
- > Drill Capacity: 0.018" - 0.095" (Available in DP3)
- > Thread Major Dia: 0.189" (4.80 mm)
- > Thread Minor Dia: 0.141" (3.58 mm)
- > Corrosion protection: Salt spray 1000 hrs without red rust per ASTM B117

Installation and Application

1. Do not use impact drivers.
2. The fasteners can be engaged in a steel substrate using a 5/16" hex socket bit and a clutch screw gun. The fastener should be installed with 0-2500 rpm max. Be cautious as not to over drive the fastener and make sure that the thread is engaged with the base material.
3. To have enough penetration, ensure that first three full threads behind the drill point protrude through the base material.

Storage

Fasteners should be stored in the original packaging.

Precautions

Always use eye protection to reduce safety risks.

Certifications

ICC-ES Report ESR-4849



Product Properties

Steel gauge	Ultimate Pull Out Strength (lbf)	Ultimate Pullover Strength (lbf)	Ultimate Tensile Test Strength (lbf)	Ultimate Shear Strength (lbf)
24ga	252	710	2704	1552
18ga	592	1433		
12ga	1316	2649		

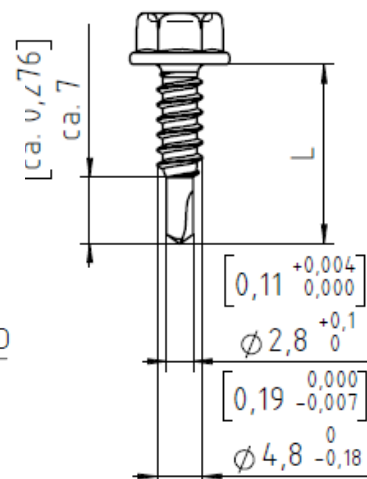
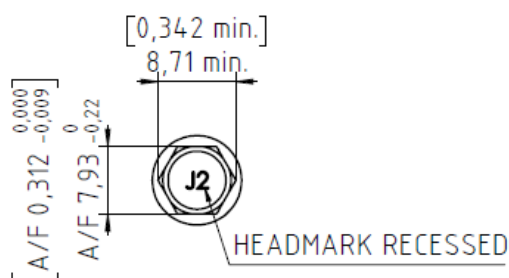
EJOT Self Drilling Screw JT2-DP1 #10-6x3/4

Product Properties

Steel gauge	Lap shear (lbf)
14G/26G	267
14G/18G	1214
14G/14G	1569
18G/26G	295
18G/18G	1316
18G/12G	1706
22G/26G	341
22G/18G	1101
22G/12G	829
26G/26G	263
26G/18G	418
26G/12G	372

Product Available Lengths and SKU #s

Order Description	Length (L) Inch	Thread Length (L1) inch	Part No.
JT2-DP1-#10-16x3/4	3/4	Fully threaded	3555550150



The data sheet highlights EJOT products and specifications. The mentioned values are subject to change without notice and are based on tested samples that may vary within applicable tolerances. EJOT takes responsibility for ensuring that the quality materials meets published EJOT product specifications. EJOT does not accept any liability for structural failure or resultant damages. A structural engineer should be consulted with before installation to ensure structural soundness or structural ability. No EJOT representative is authorized to vary this disclaimer.

Self drilling screw JT2



Applications and Properties

- > JT2 is designed to drill quickly, easily, and consistently into 0.036" to 0.187"
- > Available in lengths from 3/4" to 1-1/2" and is available with DB/s extra thick 5 micron electro zinc plating or in DB's Mag Life Coating
- > Available with or without our EPDM Sealing Washer bonded to Galvanized Steel back to help prevent leaks.

Article number	Size	Head Diameter (inch)	Drill Point	Head Size	Head Style	Drilling Capacity (inch)
3555550150	10-16 x 3/4	0.400	1	5/16	Hex	0.018-0.095
3555550350	10-16 x 1/2	0.400	3	5/16	Hex	0.036-0.175
3555550351	10-16 x 5/8	0.400	3	5/16	Hex	0.036-0.175
3555550352	10-16 x 3/4	0.400	3	5/16	Hex	0.036-0.175
3555550353	10-16 x 1	0.400	3	5/16	Hex	0.036-0.175
3555550354	10-16 x 1 1/4	0.400	3	5/16	Hex	0.036-0.175
3555550355	10-16 x 1 1/2	0.400	3	5/16	Hex	0.036-0.175
3555551357	10-16 x 3/4	0.370	3	2	PPH	0.036-0.175
3555551358	10-16 x 1	0.370	3	2	PPH	0.036-0.175
3555550372	12-14 x 3/4	0.470	3	5/16	Hex	0.036-0.210
3555550373	12-14 x 1	0.470	3	5/16	Hex	0.036-0.210
3555550374	12-14 x 1 1/4	0.470	3	5/16	Hex	0.036-0.210
3555550375	12-14 x 1 1/2	0.470	3	5/16	Hex	0.036-0.210
3555550376	12-14 x 2	0.470	3	5/16	Hex	0.036-0.210
3555550377	12-14 x 2 1/2	0.470	3	5/16	Hex	0.036-0.210

Self drilling screw JT2

Article number	Size	Head Diameter (inch)	Drill Point	Head Size	Head Style	Drilling Capacity (inch)
3555550378	12-14 x 3	0.470	3	5/16	Hex	0.036-0.210
3555550379	12-14 x 4	0.470	3	5/16	Hex	0.036-0.210
3555551374	12-14 x 1 1/4	0.550	3	5/16	HWH	0.036-0.210
3555551375	12-14 x 1 1/2	0.550	3	5/16	HWH	0.036-0.210
3555550775	12-14 x 1 1/2	0.470	7	5/16	Hex	0.375-0.500
3555550776	12-14 x 2	0.470	7	5/16	Hex	0.125-0.500
3555550778	12-14 x 3	0.470	7	5/16	Hex	0.125-0.500
3555550472	12-24 x 7/8	0.470	4	5/16	Hex	0.125-0.312
3555550574	12-24 x 1 1/4	0.470	5	5/16	Hex	0.125-0.500
3555550575	12-24 x 1 1/2	0.470	5	5/16	Hex	0.125-0.500
3555550576	12-24 x 2	0.470	5	5/16	Hex	0.125-0.500
3555550192	1/4-14 x 7/8	0.470	1	5/16	Hex	0.030-0.095
3555550393	1/4-14 x 7/8	0.470	3	3/8	Hex	0.036-0.210
3555550394	1/4-14 x 1	0.470	3	3/8	Hex	0.036-0.210
3555550395	1/4-14 x 1 1/4	0.470	3	3/8	Hex	0.036-0.210
3555550396	1/4-14 x 1 1/2	0.470	3	3/8	Hex	0.036-0.210
3555550397	1/4-14 x 2	0.470	3	3/8	Hex	0.036-0.210
3555550398	1/4-14 x 2 1/2	0.470	3	3/8	Hex	0.036-0.210
3555550399	1/4-14 x 3	0.470	3	3/8	Hex	0.036-0.210
3555550400	1/4-14 x 3 1/2	0.470	3	3/8	Hex	0.036-0.210
3555550401	1/4-14 x 4	0.470	3	3/8	Hex	0.036-0.210
3555550402	1/4-14 x 5	0.470	3	3/8	Hex	0.036-0.210
3555550403	1/4-14 x 6	0.470	3	3/8	Hex	0.036-0.210

Self drilling screw JT2

Article number	Size	Head Diameter (inch)	Drill Point	Head Size	Head Style	Drilling Capacity (inch)
3555550404	1/4-14 x 7	0.470	3	3/8	Hex	0.036-0.210
3555550405	1/4-14 x 8	0.470	3	3/8	Hex	0.036-0.210
3555551192	1/4-14 x 7/8	0.550	1	5/16	HWH	0.030-0.095
3555551293	1/4-14 x 1	0.620	3	3	SPCH	0.036-0.210
3555551294	1/4-14 x 2	0.620	3	3	SPCH	0.036-0.210
3555551295	1/4-14 x 3	0.620	3	3	SPCH	0.036-0.210
3555551296	1/4-14 x 4	0.620	3	3	SPCH	0.036-0.210
3555551297	1/4-14 x 5	0.620	3	3	SPCH	0.036-0.210
3555551298	1/4-14 x 6	0.620	3	3	SPCH	0.036-0.210
3555551299	1/4-14 x 7	0.620	3	3	SPCH	0.036-0.210
3555551311	1/4-14 x 8	0.620	3	3	SPCH	0.036-0.210
3555550598	1/4-20 x 3	0.470	5	3/8	Hex	0.125-0.500
3555550599	1/4-20 x 4	0.470	5	3/8	Hex	0.125-0.500
3555550600	1/4-20 x 5	0.470	5	3/8	Hex	0.125-0.500
3555550601	1/4-20 x 6	0.470	5	3/8	Hex	0.125-0.500
3555550602	1/4-20 x 7	0.470	5	3/8	Hex	0.125-0.500
3555550603	1/4-20 x 8	0.470	5	3/8	Hex	0.125-0.500

The data sheet highlights EJOT products and specifications. The mentioned values are subject to change without notice and are based on tested samples that may vary within applicable tolerances. EJOT takes responsibility for ensuring that the quality materials meets published EJOT product specifications. EJOT does not accept any liability for structural failure or resultant damages. A structural engineer should be consulted with before installation to ensure structural soundness or structural ability. No EJOT representative is authorized to vary this disclaimer.