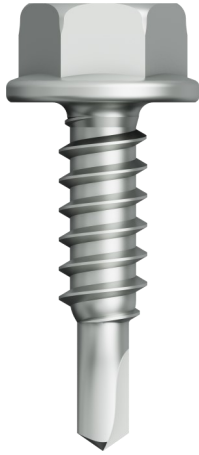


EJOT Self Drilling Screw JT3-DP1 #10-16xL



Product Specifications

- > Threads Per Inch: 16
- > Head Style: Hex Head
- > Material: Austenitic Steel A2/Steel
- > Drill Capacity:
- > Thread Major Dia:
- > Thread Minor Dia:
- > Corrosion protection: Salt spray 1000 hrs without red rust per ASTM B117

Installation and Application

1. Do not use impact drivers.
2. The fasteners can be engaged in a steel substrate using a 5/16" hex drive and a clutch screw gun. The fastener should be installed with 0-2500 rpm max. Be cautious as not to over drive the fastener and make sure that the thread is engaged with the base material.
3. To have enough penetration, ensure that first three full threads behind the drill point protrude through the base material.

Storage

Fasteners should be stored in the original packaging.

Precautions

Always use eye protection to reduce safety risks.

Certifications

ICC-ES Report ESR-4849



Product Properties

| Steel gauge | Ultimate Pull Out Strength (lbf) | Steel gauge | Ultimate Pullover Strength (lbf) | Ultimate Tensile Test Strength (lbf) | Ultimate Shear Strength (lbf) |
|-------------|----------------------------------|-------------|----------------------------------|--------------------------------------|-------------------------------|
| 22ga | 115 | 26ga | 453 | 1612 | 1211 |
| 16ga | 468 | 16ga | 1991 | | |
| 1/8" | 1276 | 3/16" | 1875 | | |

EJOT Self Drilling Screw JT3-DP1 #10-16xL

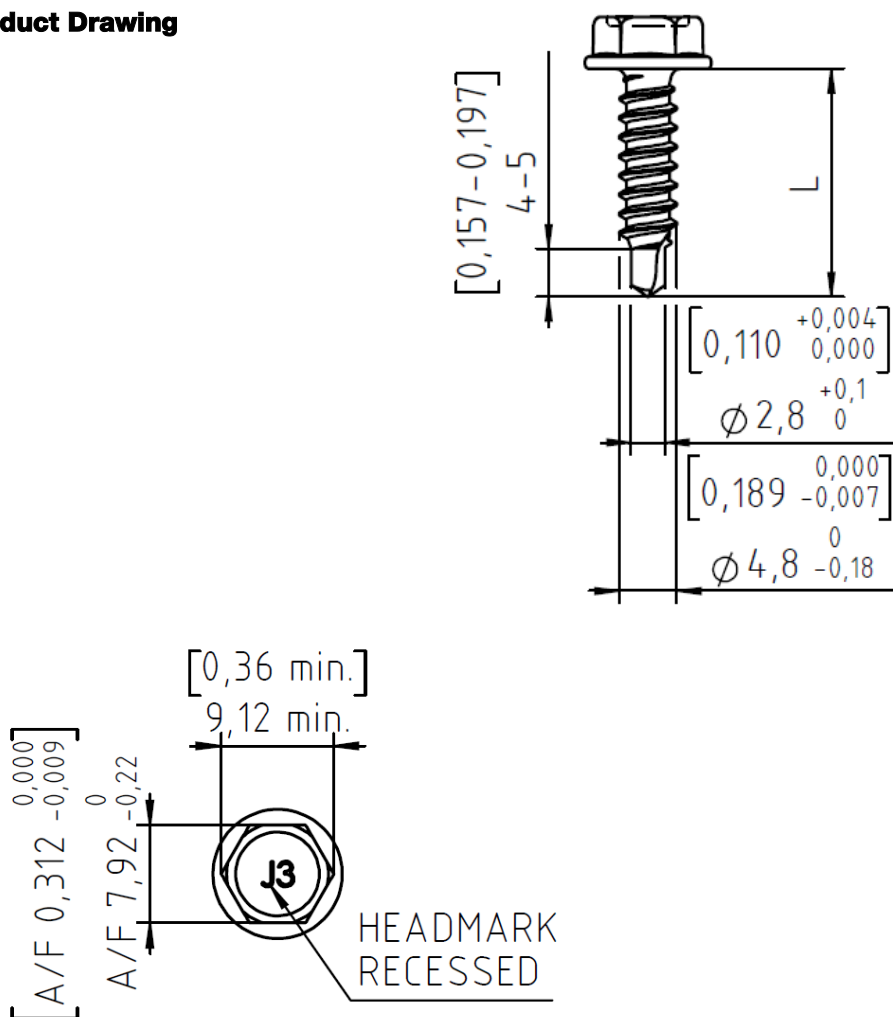
Product Properties

| Steel gauge | Lap shear (lbf) |
|-------------|-----------------|
| 26G/26G | 305 |
| 26G/22G | 361 |
| 26G/18G | 318 |
| 26G/14G | 230 |
| 26G/1-8" | 328 |
| 18G/26G | 556 |
| 18G/22G | 894 |
| 18G/18G | 1136 |
| 18G/14G | 1136 |
| 18G/1-8" | 1354 |
| 14G/14G | 1440 |
| 12G/26G | 423 |
| 12G/22G | 899 |
| 12G/18G | 1672 |

Product Selection

| Order Description | Length (L) Inch | Thread Length (L1) inch | Part No. |
|-------------------|--------------------|----------------------------|----------|
|-------------------|--------------------|----------------------------|----------|

Product Drawing



The data sheet highlights EJOT products and specifications. The mentioned values are subject to change without notice and are based on tested samples that may vary within applicable tolerances. EJOT takes responsibility for ensuring that the quality materials meets published EJOT product specifications. EJOT does not accept any liability for structural failure or resultant damages. A structural engineer should be consulted with before installation to ensure structural soundness or structural ability. No EJOT representative is authorized to vary this disclaimer.

EJOT Self Drilling Screw JT3

Applications and Properties

- > JT3 is designed to drill quickly, easily, and consistently into 0.036" to 0.187"
- > Available in lengths from 3/4" to 1-1/2" and is available with DB/s extra thick 5 micron electro zinc plating or in DB's Mag Life Coating
- > Available with or without our EPDM Sealing Washer bonded to Galvanized Steel back to help prevent leaks.



| Article number | Size | Head Diameter (inch) | Drill Point | Head Size | Head Style | Drilling Capacity (inch) |
|----------------|----------------|----------------------|-------------|-----------|------------|--------------------------|
| 355555355 | 10-16 X 1-1/2* | 0.370 | 3 | 2 | PFH | 0.036-0.175 |
| 355555252 | 10-16 X 3/4 | 0.370 | 2 | 2 | PPH | 0.030-0.110 |
| 355555253 | 10-16 X 1 | 0.370 | 2 | 2 | PPH | 0.030-0.110 |
| 355555263 | 10-16 X 1 | 0.440 | 2 | 2 | PPCH | 0.030-0.110 |
| 355554352 | 10-16 X 3/4 | 0.410 | 3 | 5/16 | Hex | 0.036-0.175 |
| 355554353 | 10-16 X 1 | 0.410 | 3 | 5/16 | Hex | 0.036-0.175 |
| 355554355 | 10-16 X 1-1/2 | 0.410 | 3 | 5/16 | Hex | 0.036-0.175 |
| 355555373 | 12-14 X 1 | 0.420 | 3 | 3 | PUFH | 0.036-0.175 |
| 355555374 | 12-14 X 1-1/4 | 0.420 | 3 | 3 | PUFH | 0.036-0.175 |
| 355555375 | 12-14 X 1-1/2 | 0.420 | 3 | 3 | PUFH | 0.036-0.175 |
| 355554273 | 12-14 X 1 | 0.410 | 2 | 5/16 | Hex | 0.030-0.110 |
| 355554275 | 12-14 X 1-1/2 | 0.410 | 2 | 5/16 | Hex | 0.030-0.110 |
| 355554276 | 12-14 X 2 | 0.410 | 2 | 5/16 | Hex | 0.030-0.110 |
| 355554277 | 12-14 X 2-1/2 | 0.410 | 2 | 5/16 | Hex | 0.030-0.110 |
| 355554373 | 12-14 X 1 | 0.410 | 3 | 5/16 | Hex | 0.036-0.175 |

EJOT Self Drilling Screw JT3

| Article number | Size | Head Diameter (inch) | Drill Point | Head Size | Head Style | Drilling Capacity (inch) |
|----------------|------------------|----------------------|-------------|-----------|------------|--------------------------|
| 3555554374 | 12-14 X 1-1/4 | 0.410 | 3 | 5/16 | Hex | 0.036-0.175 |
| 3555554375 | 12-14 X 1-1/2 | 0.410 | 3 | 5/16 | Hex | 0.036-0.175 |
| 3555554376 | 12-14 X 2 | 0.410 | 3 | 5/16 | Hex | 0.036-0.175 |
| 3555554377 | 12-14 X 2-3/4 | 0.410 | 3 | 5/16 | Hex | 0.036-0.175 |
| 3555554378 | 12-14 X 3-1/2 | 0.410 | 3 | 5/16 | Hex | 0.036-0.175 |
| 3555554379 | 12-14 X 4-3/8 | 0.410 | 3 | 5/16 | Hex | 0.036-0.175 |
| 3555554283 | 12-14 X 1 | 0.460 | 2 | TX25 | BH | 0.030-0.110 |
| 3555554286 | 12-14 X 2 | 0.460 | 2 | TX25 | BH | 0.030-0.110 |
| 3555554383 | 12-14 X 1 | 0.460 | 3 | TX25 | BH | 0.036-0.175 |
| 3555554384 | 12-14 X 1-3/8 | 0.460 | 3 | TX25 | BH | 0.036-0.175 |
| 3555554385 | 12-14 X 1-1/2 | 0.460 | 5 | TX25 | BH | 0.125-0.500 |
| 3555555273 | 12-14 X 1 | 0.420 | 2 | 3 | PUFH | 0.030-0.110 |
| 3555555274 | 12-14 X 1-1/4 | 0.420 | 2 | 3 | PUFH | 0.030-0.110 |
| 3555555275 | 12-14 X 1-1/2 | 0.420 | 2 | 3 | PUFH | 0.030-0.110 |
| 3555554585 | 12-24 X 1-3/4 | 0.410 | 5 | 5/16 | Hex | 0.125-0.500 |
| 3555554587 | 12-24 X 2-1/4 | 0.410 | 5 | 5/16 | Hex | 0.125-0.500 |
| 3555554588 | 12-24 X 3 | 0.410 | 5 | 5/16 | Hex | 0.125-0.500 |
| 3555554589 | 12-24 X 4 | 0.410 | 5 | 5/16 | Hex | 0.125-0.500 |
| 3555555575 | 12-24 X 1-3/4* | 0.420 | 5 | 3 | PFH | 0.125-0.500 |
| 3555555577 | 12-24 X 2-1/2* | 0.420 | 5 | 3 | PFH | 0.125-0.500 |
| 3555555578 | 12-24 X 2-13/16* | 0.420 | 5 | 3 | PFH | 0.125-0.500 |
| 3555555298 | 1/4-14 X 3 | 0.420 | 3 | 3 | PUFH | 0.036-0.175 |
| 3555555299 | 1/4-14 X 4 | 0.420 | 3 | 3 | PUFH | 0.036-0.175 |

EJOT Self Drilling Screw JT3

| Article number | Size | Head Diameter (inch) | Drill Point | Head Size | Head Style | Drilling Capacity (inch) |
|----------------|------------------|----------------------|-------------|-----------|------------|--------------------------|
| 355554393 | 1/4-14 X 1 | 0.500 | 3 | 3/8 | Hex | 0.036-0.175 |
| 355554395 | 1/4-14 X 1-1/2 | 0.500 | 3 | 3/8 | Hex | 0.036-0.175 |
| 355554396 | 1/4-14 X 2 | 0.500 | 3 | 3/8 | Hex | 0.036-0.175 |
| 355554397 | 1/4-14 X 2-1/2 | 0.500 | 3 | 3/8 | Hex | 0.036-0.175 |
| 355554398 | 1/4-14 X 3 | 0.500 | 3 | 3/8 | Hex | 0.036-0.175 |
| 355554399 | 1/4-14 X 4 | 0.500 | 3 | 3/8 | Hex | 0.036-0.175 |
| 355554596 | 1/4-20 X 2 | 0.500 | 5 | 3/8 | Hex | 0.125-0.500 |
| 355554598 | 1/4-20 X 3 | 0.500 | 5 | 3/8 | Hex | 0.125-0.500 |
| 355554599 | 1/4-20 X 4 | 0.500 | 5 | 3/8 | Hex | 0.125-0.500 |
| 355554600 | 1/4-20 X 5 | 0.500 | 5 | 3/8 | Hex | 0.125-0.500 |
| 355554601 | 1/4-20 X 6 | 0.500 | 5 | 3/8 | Hex | 0.125-0.500 |
| 355554602 | 1/4-20 X 7 | 0.500 | 5 | 3/8 | Hex | 0.125-0.500 |
| 355554603 | 1/4-20 X 8 | 0.500 | 5 | 3/8 | Hex | 0.125-0.500 |
| 355555597 | 1/4-20 X 2-13/16 | 0.480 | 5 | 3 | PFH | 0.125-0.500 |

The data sheet highlights EJOT products and specifications. The mentioned values are subject to change without notice and are based on tested samples that may vary within applicable tolerances. EJOT takes responsibility for ensuring that the quality materials meets published EJOT product specifications. EJOT does not accept any liability for structural failure or resultant damages. A structural engineer should be consulted with before installation to ensure structural soundness or structural ability. No EJOT representative is authorized to vary this disclaimer.